



## Characteristics



- Energy saving heat pump air curtains: Up to 70% reduction in costs and CO<sub>2</sub> emissions (heating mode).
- Specially designed for applications where the body of the air curtain is to be installed inside a column or bulkhead for architectural reasons. It can be vertically or horizontally mounted.
- Self-supporting casing construction made of galvanized steel plate, finished in structural epoxy-polyester painting white colour RAL9016 as standard. Other colours or stainless steel are available on request.
- The air flow of Invisair follows a straight line from the air inlet grille to the discharge. Inlet area inside a bulkhead or column should be designed with suitable grille provided by others.
- Anodized aluminium outlet vanes, airfoil shaped, adjustable from 0 to 15° each side.
- EC Double-inlet centrifugal fans driven by an external rotor motor and low noise level, with very low consumption efficiency fans.
- Includes direct expansion coil with sensors. Optional condensate water pump.
- CS-5DX-NE Plug&Play control with 5 speeds and telephone cable 7m included.
- Requires CARRIER VRF Interface KIT adapted for air curtain, programmable control and expansion valve, please consult.
- Ready to connect to CARRIER VRF outdoor heat pump unit (R410A), not included, the customer should purchase it.

## Specifications

Model	Airflow m <sup>3</sup> /h	Carrier Direct Expansion Valve	Power Fan 230V-50Hz kW	Current Fan 230V-50Hz A	Noise Level (5 m) dB(A)	Weight kg
IECG 1500 VRF13-CA	2920	MMDXV140	0,284	2,48	62	69
IECG 1500 VRF15-CA	2920	MMDXV140	0,284	2,48	62	69
IECG 2000 VRF20-CA	4380	MMDXV280	0,426	3,72	63	89
IECG 2000 VRF24-CA	4380	MMDXV280	0,426	3,72	63	89
IECG 2500 VRF25-CA	5110	MMDXV280	0,497	4,34	64	94
IECG 2500 VRF29-CA	5110	MMDXV280	0,497	4,34	64	94

### CARRIER VRF Outdoor Units

XPower Mini VRF and XPower VRF 2 pipes (Heat Pump)

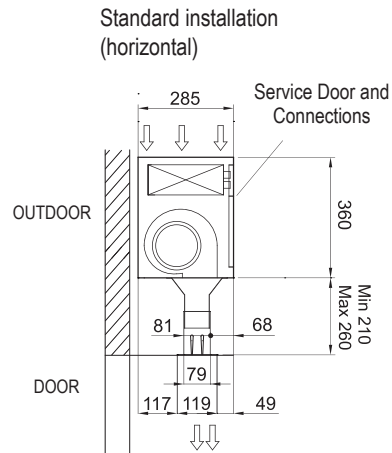
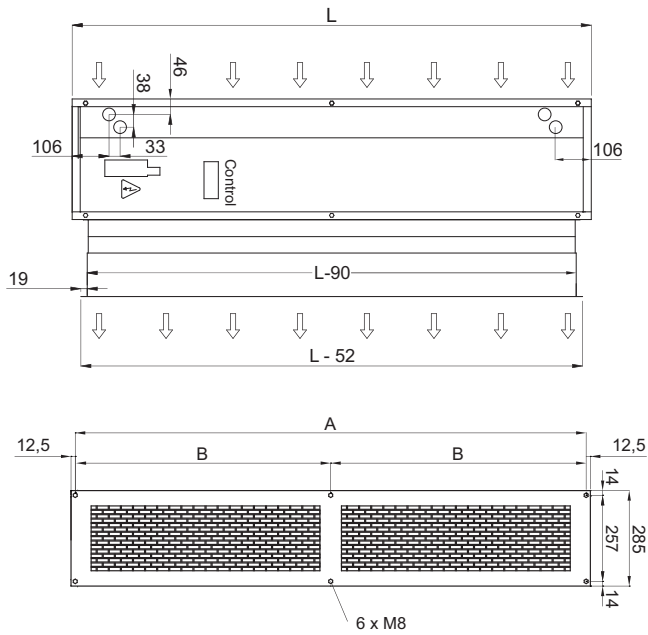
XPower VRF 3 pipes (Heat Recovery)



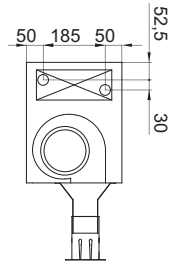
When adverse weather conditions, the outdoor unit capacity can decrease. It is recommendable to oversize the units.



Layouts and dimensions



OPTIONAL  
Connections with lateral entrance



Invisair	L	A	B
1500	1550	1525	762,5
2000	2055	2030	1015
2500	2555	2530	1265

Installation example

