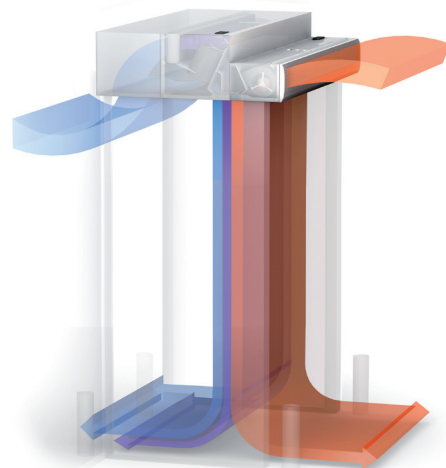




Characteristics

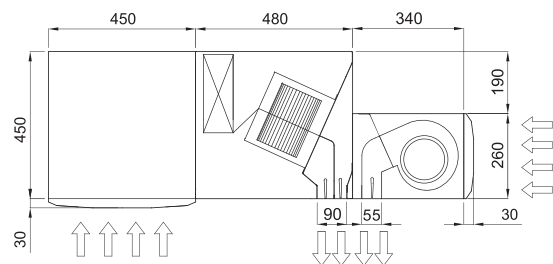
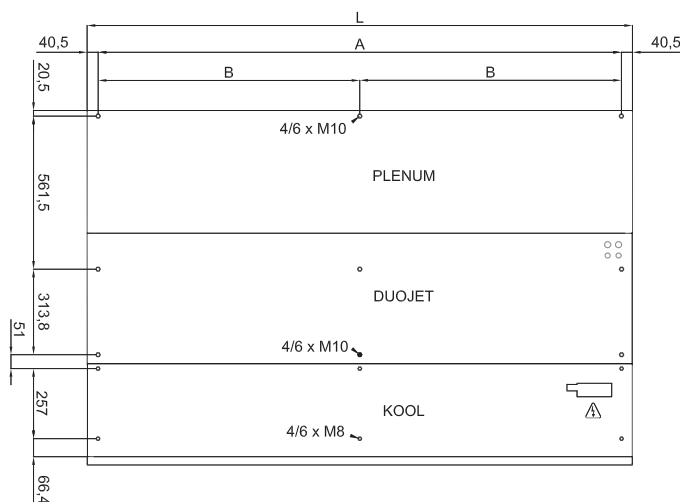


- Specially designed to be installed on doors of industrial cold stores and freezers with big temperature differences.
- Reduces mist, snow and ice decreasing risk of accidents.
- System composed by two air curtains: special Duojet air curtain with plenum and Kool air curtain. The result is a combination system of 3 jets at different temperatures and different speeds.
- High efficiency barrier against big amount of thermal losses due to a big temperature difference (shorter payback).
- A lateral enclosure structure is required to cover 100% of the opening up to 3 jets, not included.
- Self-supporting casing construction made of stainless steel plate. Galvanized steel structural epoxy-polyester painting white RAL9016 or other colors under request.
- Large perforated inlet grille avoiding intensive maintenance.
- Anodized aluminium outlet vanes, airfoil shaped, adjustable from 0 to 15° each side.
- Duojet with IP55 AC centrifugal fans and Kool with EC fans (both double inlet, external rotor motors and built-in thermal protection contact). All provided with 5-speed selection, very low noise level.
- Includes electrical shielded element of 3 power stages with integrated regulation.
- Triojet is automatically fully controlled by Clever control. Electronics and controller protected inside IP65 boxes. Plug & Play connections.
- Ready for BMS connection via Modbus RTU.

Specifications

Model	Airflow m ³ /h	Power Fans 230V-50Hz kW	Current Fans 230V-50Hz A	Electrical Heating Capacity 400Vx3-50Hz kW	Noise Level (5m) dB(A)	Weight kg
TRIOJET SYSTEM 1000 INOX	5900	1,08	5,75	3/6/9	62	125
TRIOJET SYSTEM 1500 INOX	8400	1,58	8,30	4/8/12	63	182
TRIOJET SYSTEM 2000 INOX	11800	2,16	11,50	6/12/18	64	234
TRIOJET SYSTEM 2500 INOX	14300	2,66	14,05	6/12/18	65	275
TRIOJET SYSTEM 3000 INOX	16800	3,17	16,60	8/16/24	66	314

Dimensions



	L	A	B
TRIOJET 1000	1000	920	-
TRIOJET 1500	1500	1420	710
TRIOJET 2000	2000	1920	960
TRIOJET 2500	2500	2420	1210
TRIOJET 3000	3000	2920	1460